

CRPP-MB2.6

CUSTOM FIT UPGRADE

Mercedes Vito/eVito 2014-

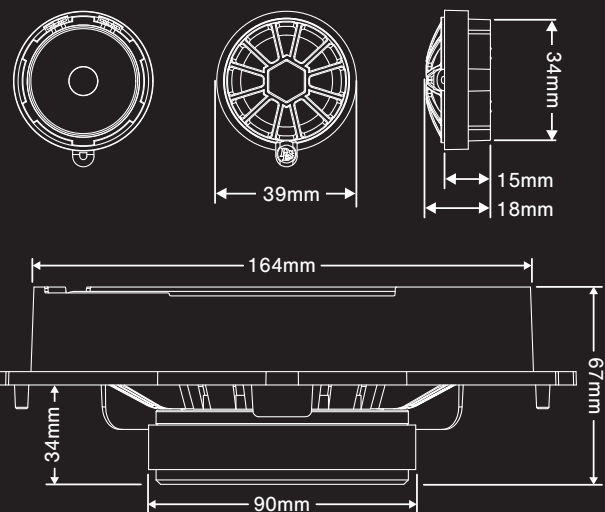
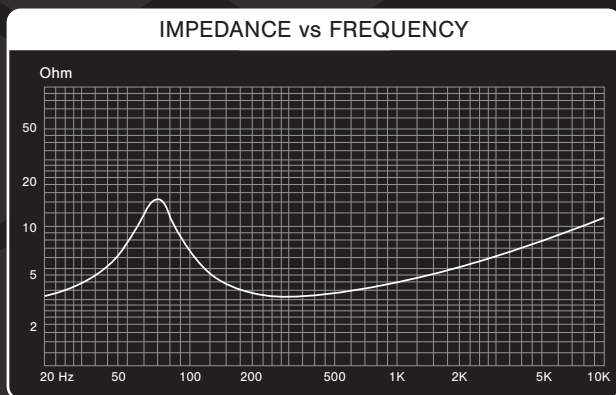
The Cruise series brings you the DLS natural sound engineered for integration. Easy to install and the perfect upgrade from your OEM system.

- Natural and musical 2-way component set
- Optimized moving components for low distortion
- Oversized ferrite magnet with neodymium super strong magnet solution
- Warm character 1" soft silk dome tweeter
- Accurate 6.5" glass fiber laminated woofer
- Audiophile 12dB crossover with Mundorf® capacitor
- Reinforced ABS basket
- High sensitivity, play more with less power
- Easy to install
- Accessories included



ELECTRO-ACOUSTIC PARAMETERS	
Tweeter	
Re	3.5 Ohm
Fs	1990 Hz
SPL	94dB 1W/1M
Woofer	
Re	2.6 Ohm
Fs	68.9 Hz
Mms	14.6 g
Cms	0.364
Vas	11.24 L
Qts	0.51
Qes	0.61
Qms	3.07
Bl	5.19 T.m
SPL	89.7dB 1W/1M
Sd	147cm ²

SPECIFICATIONS	
Tweeter	1" / 25mm
Woofer	6.5" / 165mm
Crossover	4.8KHz 12dB/Oct
Power RMS	100W
Power MAX	200W
Impedance	3 Ohm
Sensitivity	91dB
Freq.range	60-25000Hz



CRPP-MB2.6

CUSTOM FIT UPGRADE

Mercedes Vito/eVito 2014-



COMPATIBLE CAR MODELS*

Car	Model	Year
MERCEDES	Vito	2014 – 2020
MERCEDES	Vito (1st facelift)	2019 –
MERCEDES	Vito (2nd facelift)	2024 –
MERCEDES	eVito	2018 – 2020
MERCEDES	eVito Tourer	2020 –
MERCEDES	EQV	2020 –

* Read more on www.dls.se for full compatibility list.

INCLUDED PRODUCTS

2pcs Woofers
2pcs Tweeters
2pcs Crossovers

INCLUDED IN BOX

2pcs Tweeter connection cables
2pcs Woofer connection cables
8pcs Terminal crimp connectors
4pcs Adhesive foams for wrapping
2pcs Stainless steel logo badges
1pc PRY Tool
1pc Manual



DLS Sweden, a part of Winn Scandinavia AB
www.facebook.com/dlsaudioofficial
www.dls.se | info@dls.se



CRUISE