



POWER

RMS 50_w

MAX 100_w

MAD X2-34

A MAD SPEAKER TO FIT EVERY NEED

There's nothing better than replacing that old dusty wannabe speaker that's been hiding behind your door panel. Did your old speakers break 'cause they couldn't handle your level of LOUD? The X2 series is ready for you. Be proud, be loud, be MAD!

YOUR CAR WAS MADE FOR THE X2 SERIES

Just the way you like it, just the way your car wants it - uncomplicated and made to fit like a glove. The speaker has a 13mm silk dome tweeter with NEO magnet structure and a newly developed tweeter faceplate to up your LOUD game! In boring science terms, this means you get an increased dispersion and off-axis reproduction. It also makes the speaker a perfect fit for non-ideal OEM speaker placement. The column that holds the tweeter also contains an inline crossover. This invisible placement makes the look of the speaker extra sleek.

DESIGNED TO BE DURABLE

Our research department has truly gone MAD! For our MAD S2 subwoofers we developed a new kind of IMPP cone & USG™ rubber woofer surround. We decided that these were so good - we brought them over to the X2 series. This means that the X2 series speakers are very durable, moist proof and ready to kick some ass!

SWEDISH DESIGN, MAD SENSIBILITIES

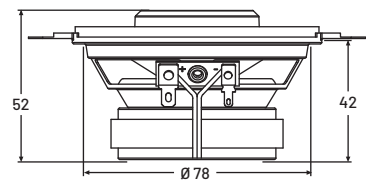
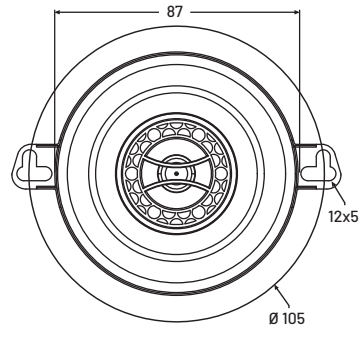
The 25mm KSV voice coil is wound with lightweight CCAW (Copper Clad Aluminum Wire) that creates a dynamic sound. Since the Swedish weather encompasses all different seasons - the X2 series is designed to withstand them all. Hot, cold, UV rays - it doesn't matter. It's MAD and it's made to play LOUD, no matter the circumstances!

SPECIFICATIONS

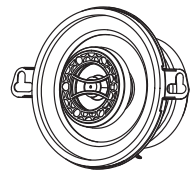
MAD X2-44	
Component	Coaxial speaker
Woofer size	3.5" (87mm)
Tweeter size	0.51" (13mm)
Nominal impedance	4 Ohm
Power RMS	50W
Power MAX	100W
Freq. response	105-21 000Hz
Sensitivity	88dB

Woofer cone	IMPP
Woofer basket	Resonance Free Steel
Woofer suspension	NBR Rubber
Woofer magnet	Ferrite
Woofer spider	Nomex/Cotton
Tweeter dome	Silk
Tweeter magnet	Neodymium
Crossover	HP 6dB HO (100V)

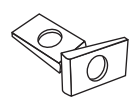
DIMENSIONS (mm)



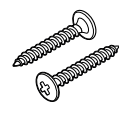
PARTS INCLUDED



Speakers (2pcs)



V-clips (4pcs)



Screws (8pcs)



Manual (1pc)