

# PA6.20

## 6.5" 2-Way Component Kit



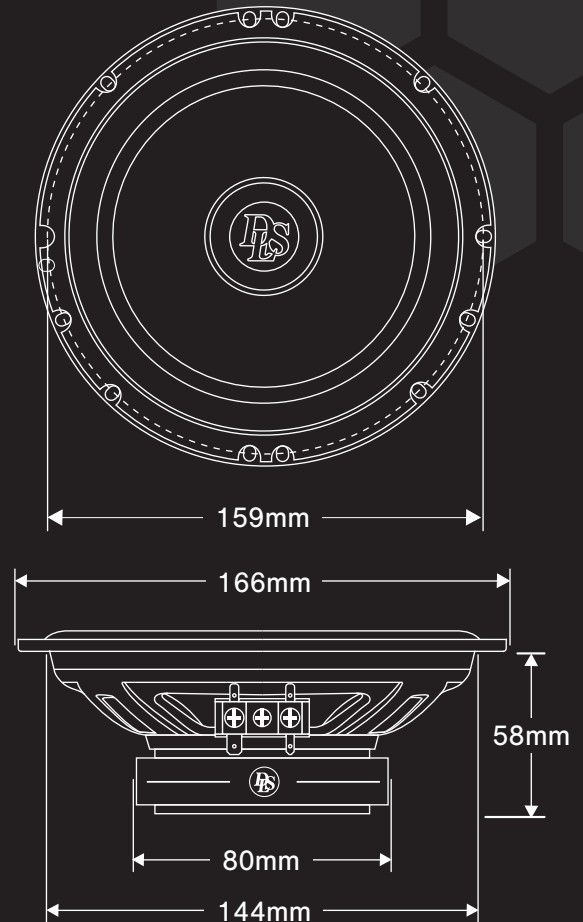
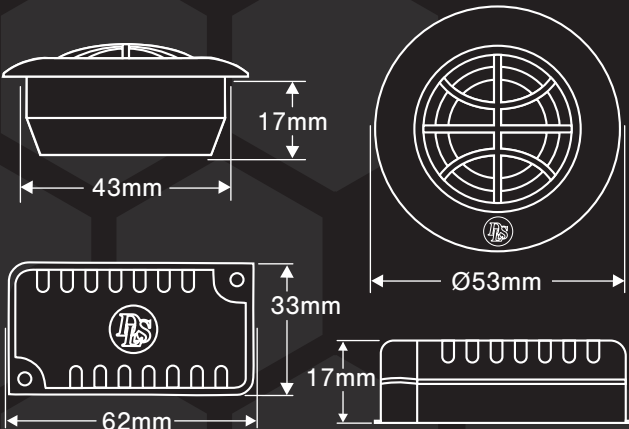
### Performance Advantage

– The DLS experience at a great value

With durable quality, impressive performance and high flexibility the DLS Performance Advantage series brings you the unique DLS audio experience at a great value.

- High quality entry level 2-way component kit
- Polypropylene cone woofer & rubber surround
- Sand paint-coated steel basket
- Neodymium tweeter with natural silk dome
- 0.8"/20mm natural silk dome tweeter
- 12dB / 5000Hz inline crossover
- Protective grilles, tweeter cups, speaker cable and installation accessories included

| SPECIFICATIONS |              |
|----------------|--------------|
| Tweeter        | 0.8" / 20mm  |
| Woofer         | 6.5" / 165mm |
| Power RMS      | 60W          |
| Power MAX      | 120W         |
| Power PEAK     | 180W         |
| Impedance      | 3 Ohm        |
| Sensitivity    | 87 dB        |
| Freq.range     | 65-20 000 Hz |



DLS Sweden, a part of Winn Scandinavia AB

[www.facebook.com/dlsaudioofficial](http://www.facebook.com/dlsaudioofficial)

[www.dls.se](http://www.dls.se) | [info@dls.se](mailto:info@dls.se)



# PERFORMANCE